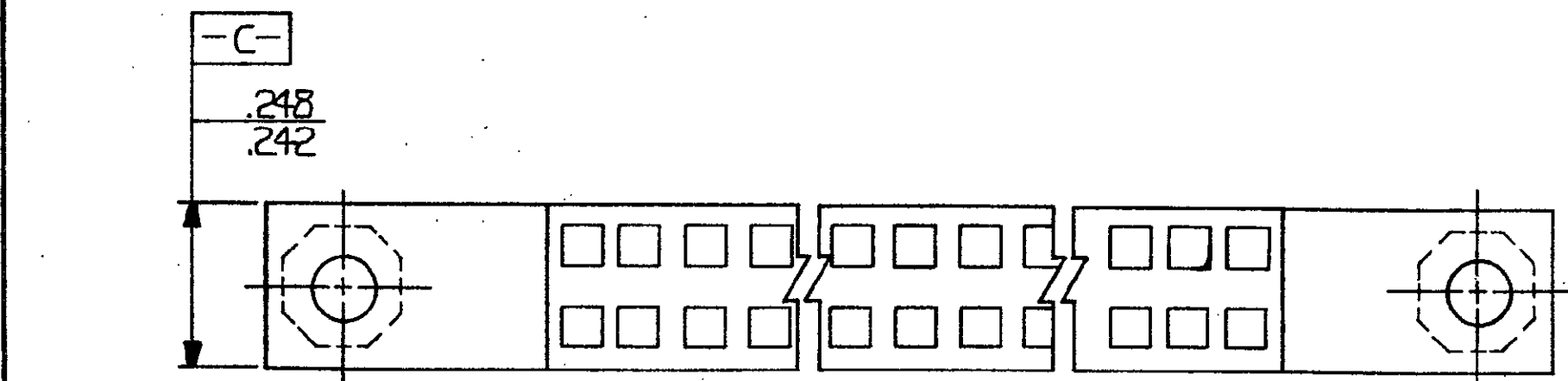
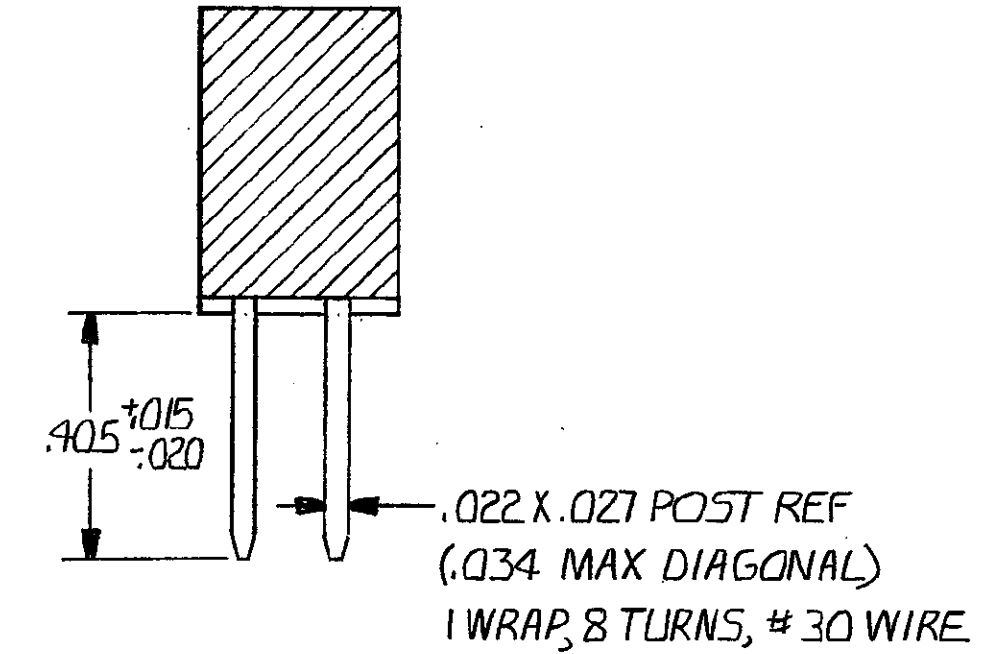
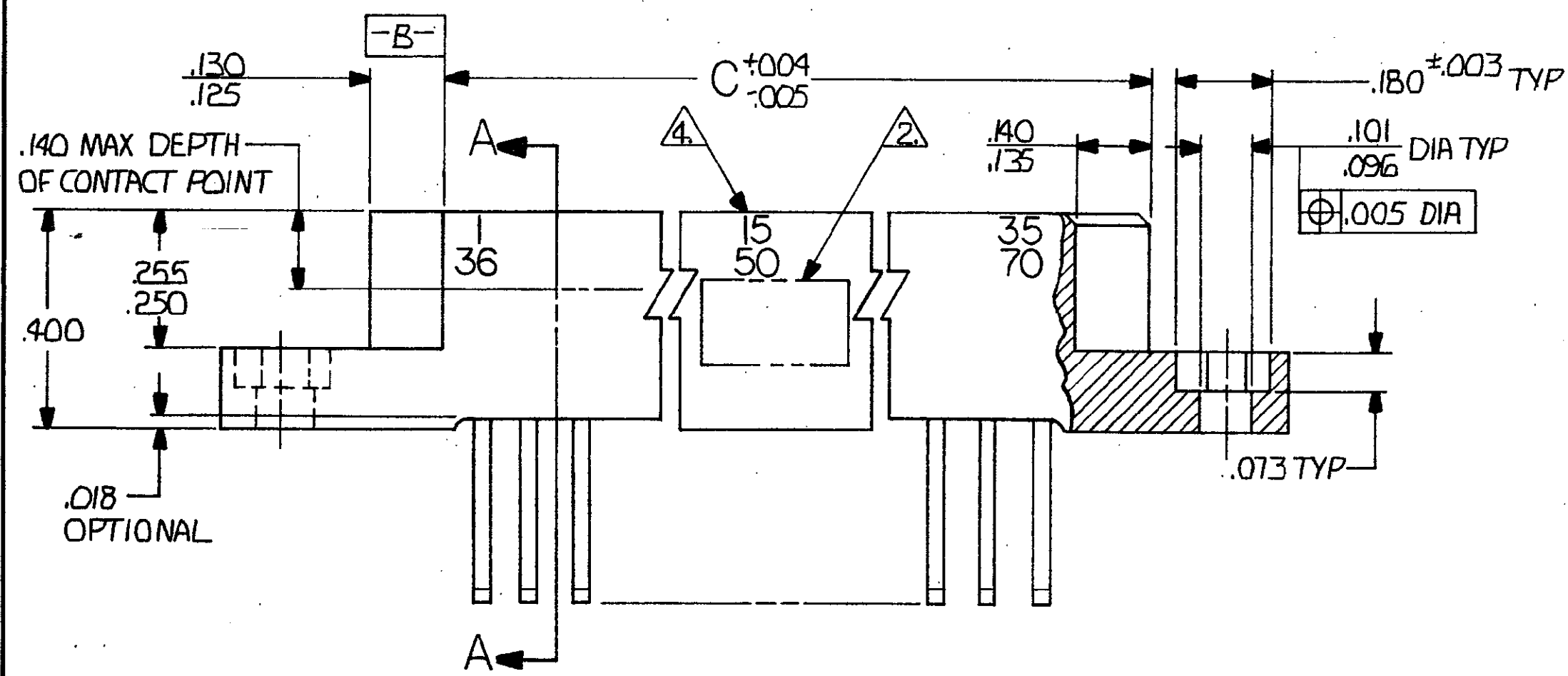
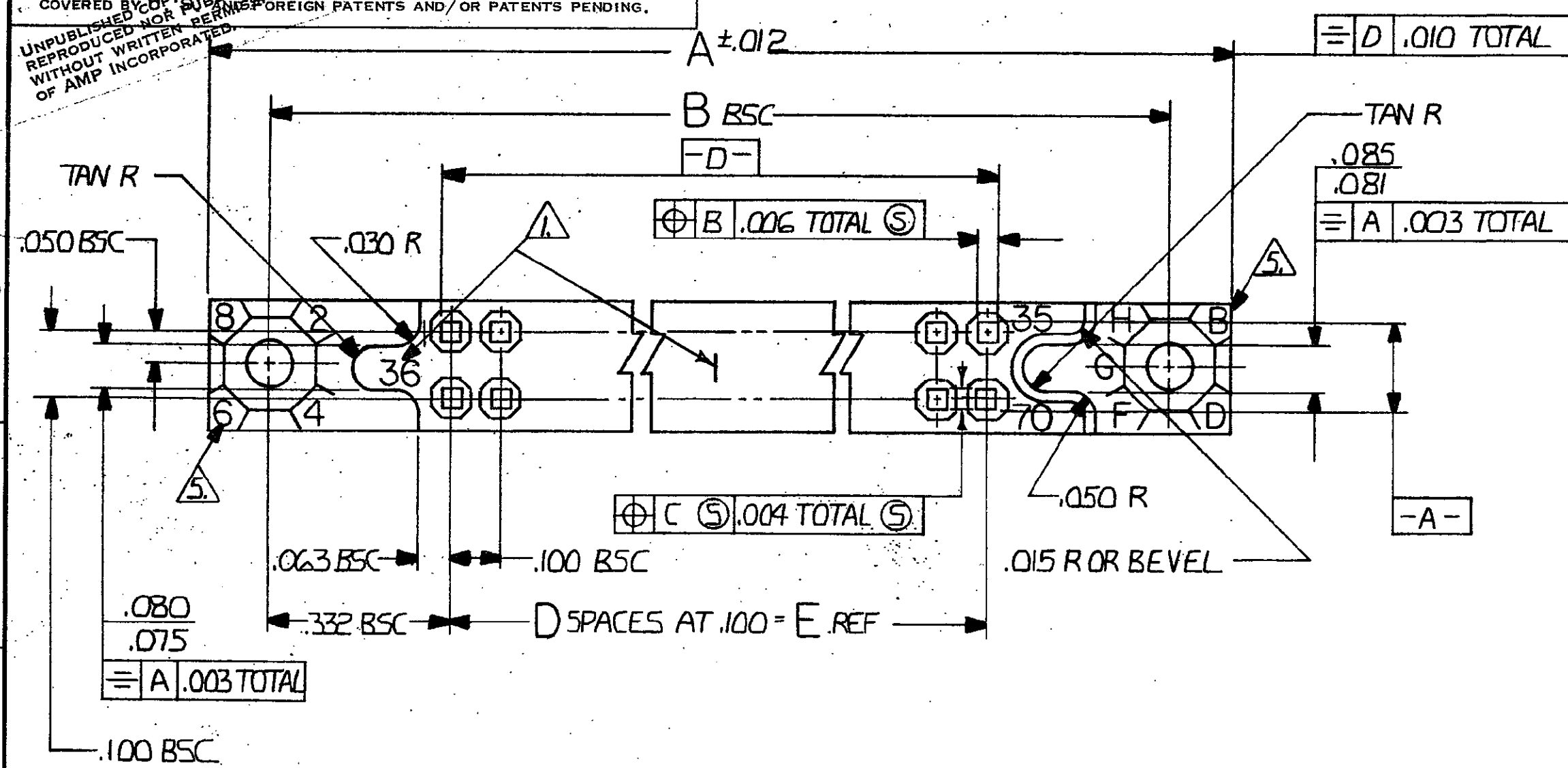


© COPYRIGHT 1976 BY AMP INCORPORATED, HARRISBURG, PA. ALL INTERNATIONAL RIGHTS RESERVED. AMP INCORPORATED PRODUCTS COVERED BY COPYRIGHT AND PATENT RIGHTS. AMP INCORPORATED PRODUCTS COVERED BY FOREIGN PATENTS AND/OR PATENTS PENDING.
 UNPUBLISHED COPY NOT TO BE REPRODUCED OR TRANSMITTED IN ANY FORM OR BY ANY MEANS WITHOUT WRITTEN PERMISSION OF AMP INCORPORATED.

REVISIONS						
P	F	ZONE	LTR	DESCRIPTION	DATE	APPROVED
		F		ECO-08-020831	PY 10-08	BW



UNLESS OTHERWISE SPECIFIED DIMENSIONS ARE IN INCHES. TOLERANCES ON: DECIMALS $\pm .005$ ANGLES $\pm .005$	CONTRACT NO	AMP INCORPORATED Harrisburg, Pa.	
	DR	Robert Wolbert 11-12-76	
	CHK	R. Williams 11-23-76	
	APPD	R. Williams 11-23-76	
MATERIAL	APPD	D.C. Myers 11-29-76	
FINISH	DSGN APPD		
	OTHER APPD		
		NAME	BOX CONNECTOR RECEPTACLE ASSY .100 GRID EXTERNAL KEYING
		SIZE	CODE IDENT NO C 00779
		DRAWING NO	530781
		REV	F
		SCALE	4-1
		SHEET	1 OF 2

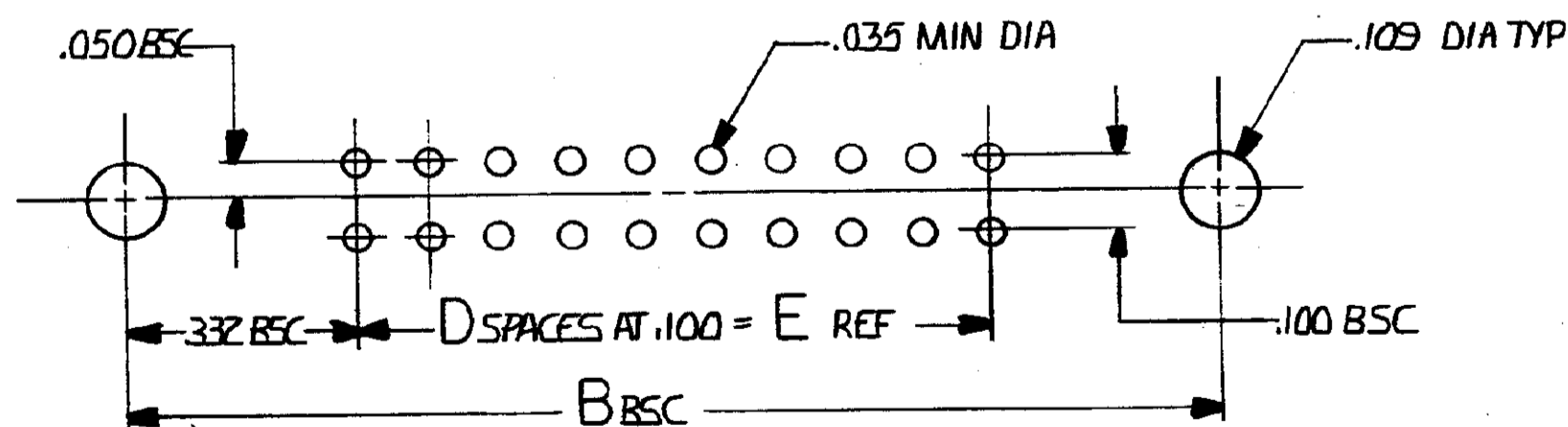
DRAWING MADE IN THIRD ANGLE PROJECTION

© COPYRIGHT 1976 BY AMP INCORPORATED, HARRISBURG, PA. ALL INTERNATIONAL RIGHTS RESERVED. AMP INCORPORATED PRODUCTS COVERED BY U. S. PATENT RIGHTS AND/OR PATENTS PENDING.

UNPUBLISHED COPY NOT TO BE REPRODUCED OR TRANSMITTED IN ANY FORM OR BY ANY MEANS WITHOUT WRITTEN PERMISSION OF AMP INCORPORATED.

P		F		Z		L		T		R		REVISIONS		DATE	APPROVED
SEE SHEET 1 OF 2															

- 1. NUMBERS AND LINES INDICATING EVERY FIVE CAVITIES MARKED ON MATING FACE.
- 2. AMP PART NUMBER DATE CODE, 00779 & MILITARY PART NUMBER MARKED IN THIS AREA SIDE OPTIONAL
- 3. MUST MEET ALL APPLICABLE REQUIREMENTS OF MIL-C-55302.
- 4. NUMBERS INDICATING EVERY FIVE CAVITIES MARKED ON SIDE
- 5. KEY POSITION IDENTIFICATION MOLDED ON SURFACES SHOWN.
- 6. USE EXTERNAL KEY NUMBER 530341-1 MATES WITH PART NUMBER 530339.
- 7. HOUSING MATERIAL: DIALLYL PHTHALATE COLOR: BLUE PER MIL-M-14 TYPE 50G-F.
- 8. CONTACT MATERIAL: BERYLLIUM COPPER .000050 GOLD OVER NICKEL.



RECOMMENDED PRINTED CIRCUIT BOARD LAYOUT

M55302/27-225	71	190 ⁷⁰	6.900	69	7.165	7.565	7.855	140	1-530781-3
M55302/27-224	68	134 ⁶⁷	6.600	66	6.865	7.265	7.555	134	1-530781-2
M55302/27-223	66	130 ⁶⁵	6.400	64	6.665	7.065	7.355	130	1-530781-1
M55302/27-222	61	120 ⁶⁰	5.900	59	6.165	6.565	6.855	120	1-530781-0
M 55302/27-171	56	110 ⁵⁵	5.400	54	5.665	6.065	6.355	110	530781-9
M 55302/27-170	51	100 ⁵⁰	4.900	49	5.165	5.565	5.855	100	8
M 55302/27-169	46	90 ⁴⁵	4.400	44	4.665	5.065	5.355	90	7
M 55302/27-168	41	80 ⁴⁰	3.900	39	4.165	4.565	4.855	80	6
M 55302/27-167	36	70 ³⁵	3.400	34	3.665	4.065	4.355	70	5
M 55302/27-166	31	60 ³⁰	2.900	29	3.165	3.565	3.855	60	4
M 55302/27-165	26	50 ²⁵	2.400	24	2.665	3.065	3.355	50	3
M 55302/27-164	21	40 ²⁰	1.900	19	2.165	2.565	2.855	40	2
M 55302/27-163	16	30 ¹⁵	1.400	14	1.665	2.065	2.355	30	530781-1
M 55302									
PART NUMBER	CONTACT IDENTIFICATION NO		E	D	C	B	A	NO OF CONTACTS	PART NO

UNLESS OTHERWISE SPECIFIED DIMENSIONS ARE IN INCHES. TOLERANCES ON: DECIMALS ± .005 ANGLES ± .005	CONTRACT NO		AMP INCORPORATED Harrisburg, Pa.	
	DR Robert Weber 11-15-76 CHK R Williams 11-23-76 APPD R Williams 11-23-76 APPD J. A. Myers 11-29-76 DSGN APPD		NAME BOX CONNECTOR RECEPTACLE ASSY 100 GRID EXTERNAL KEYING	
MATERIAL	FINISH		SIZE C	CODE 00779
OTHER APPD		IDENT NO 530781		DRAWING NO 530781
		SCALE 4:1		REV F
		SHEET 2 OF 2		

CUSTOMER DRAWING

530781